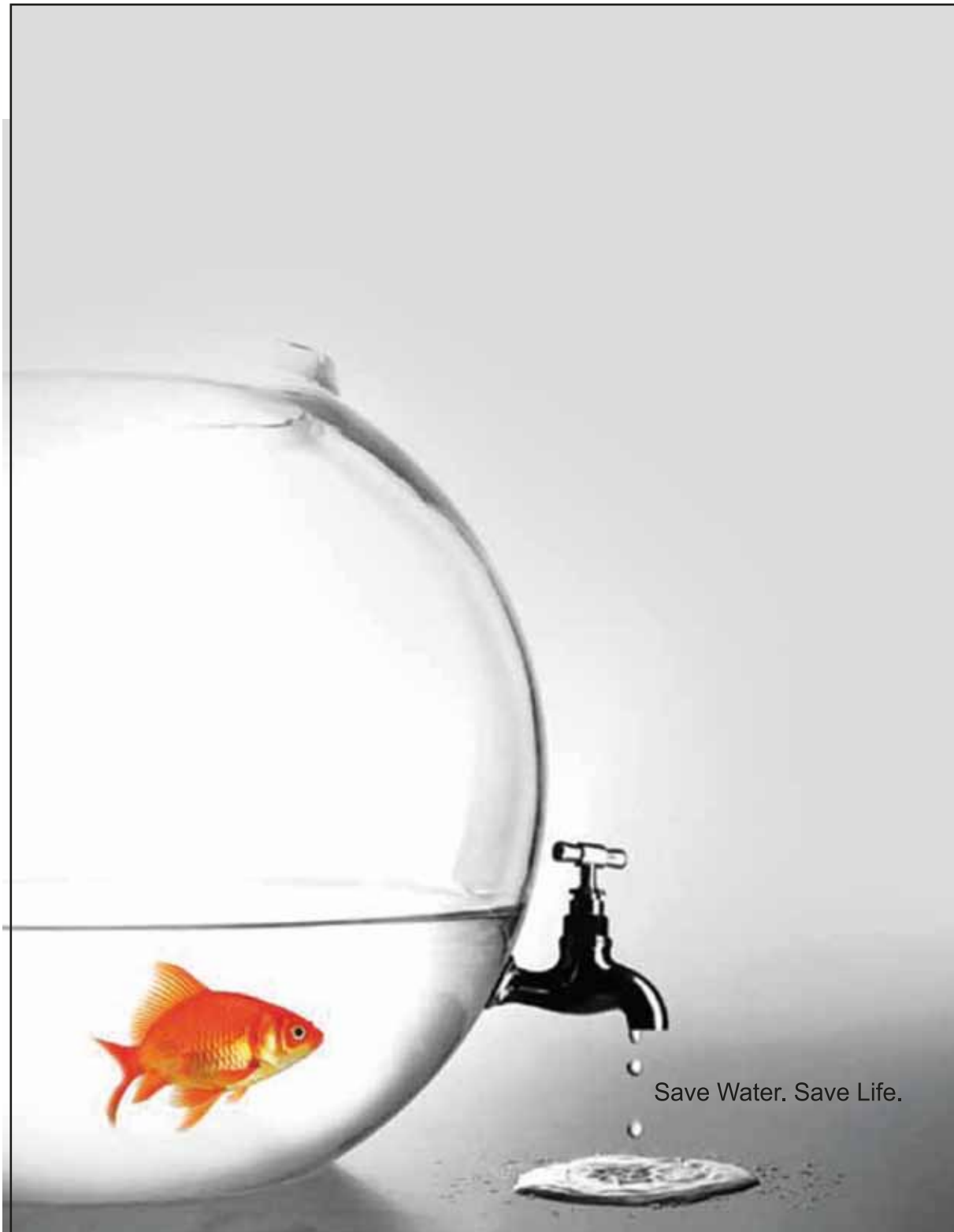
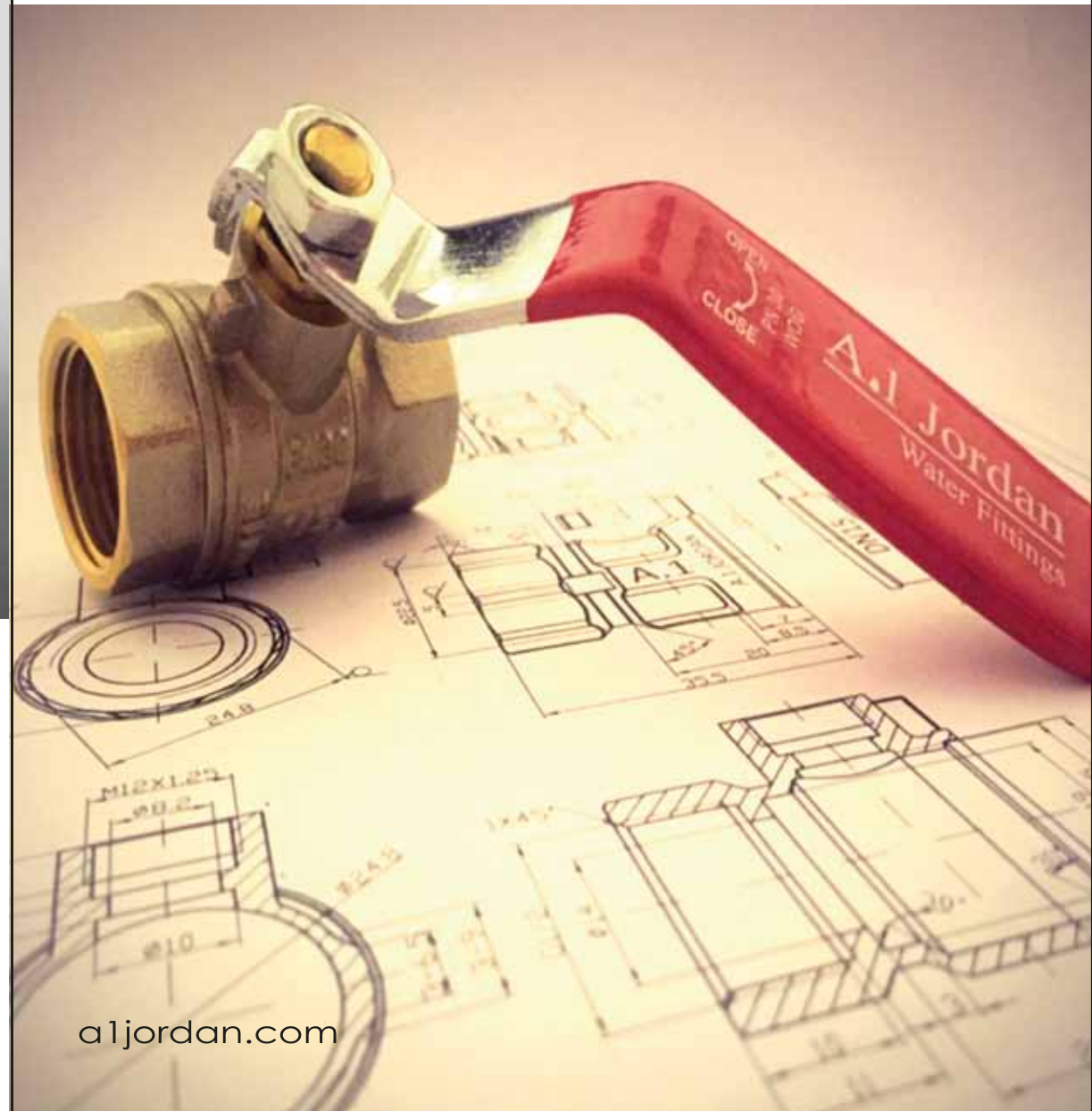


محابس مياه نحاسية BRASS BALL VALVE



Save Water. Save Life.



Ewan Engineering
Manufacturing Group Co.
Amman - Jordan
Telfax: +962 (6)4122 709
Mob: +962 79 55 200 51
Mob: +962 79 65 00 263
Email: info@a1jordan.com
Web: a1jordan.com



Exova



a1jordan.com

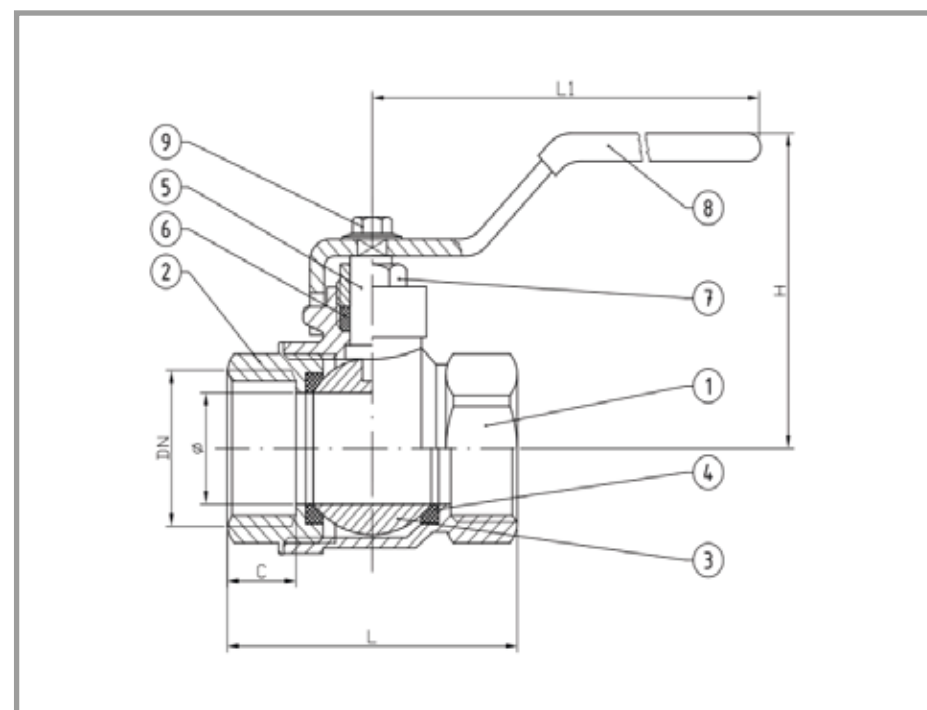


TECHNICAL DATA SHEET:

| DESIGN OF VALVE | |
|------------------------|-----------------------------|
| - FULL BORE BALL VALVE | - DOUBLE FEMAL THREADED |
| - TWO PIECES DESIGN | - BS21 OR ISO 7/1 THREADING |
| - LEVER OPERATED | - TEMPERATURE UP TO 40° C |
| - MARKING ACC TO EN19 | |

| SIZE (F * F) : | MATERIAL: |
|----------------|--------------------|
| ½" × ½" (15mm) | - BRASS (CW617N) |
| ¾" × ¾" (20mm) | - SEAT (PTFE) |
| 1" × 1" (25mm) | - STEEL (FE) |
| 2" × 2" (50mm) | |

| PRESSURE (EN12266-1/2): |
|--------------------------|
| Working Pressure: 16 BAR |
| Test Pressure: 24 BAR |



TECHNICAL DRAWING:

| SIZE | CODE | DIMENSIONS (mm) | | | | C |
|------|-------|-----------------|------|-----|------|------|
| | | Ø mm | L | L1 | H | |
| ½" | BV101 | 15 | 47 | 95 | 50.5 | 10 |
| ¾" | BV102 | 20 | 53.3 | 95 | 53 | 10.5 |
| 1" | BV103 | 25 | 64 | 116 | 60.5 | 11.5 |
| 2" | BV104 | 50 | 100 | 145 | 88 | 19 |

| No. | COMPONENTS | MATERIAL |
|-----|---------------|-------------------------------------|
| 1. | BODY | CW617N ACC TO EN12165:2011 - EN1982 |
| 2. | BONNET | CW617N ACC TO EN12165:2011 - EN1982 |
| 3. | BALL | CW617N ACC TO EN12165:2011 - EN1982 |
| 4. | BALL SEAT | PTFE |
| 5. | STEM | CW617N ACC TO EN12165:2011 - EN1982 |
| 6. | PACKING GLAND | PTFE |
| 7. | GLAND NUT | CW617N ACC TO EN12165:2011 - EN1982 |
| 8. | HANDLE | STEEL OR ALUMINIUM |
| 9. | SCREW | STEEL |